

HIGH PERFORMANCE LINE

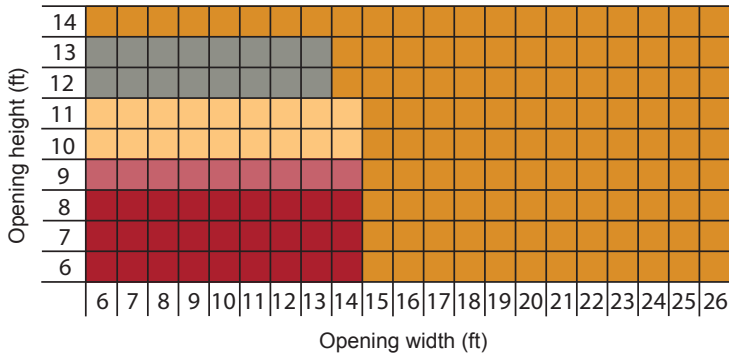
# EXTREME<sup>®</sup> MICROCOIL<sup>®</sup> GRILLE - 500K CYCLES

Model EPG324C

## MEASURE THE WIDTH AND HEIGHT OF THE OPENING

### STAINLESS STEEL CURTAIN

DOOR SIZE AND AREA

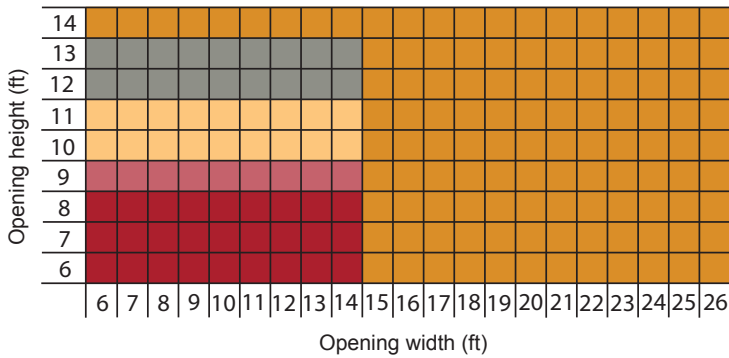


COMPONENT DIMENSIONS

	A	B	C	D	E
14	10 1/2"	12 1/2"	FOW = 5 3/4" BJ = 5 3/4"	FOW = 12 3/4" BJ = 13 1/2"	2"*
13	10 3/4"	12 3/4"			
12	11"	13"			
11	11 1/2"	13 1/4"			
10	11 3/4"	13 3/4"			

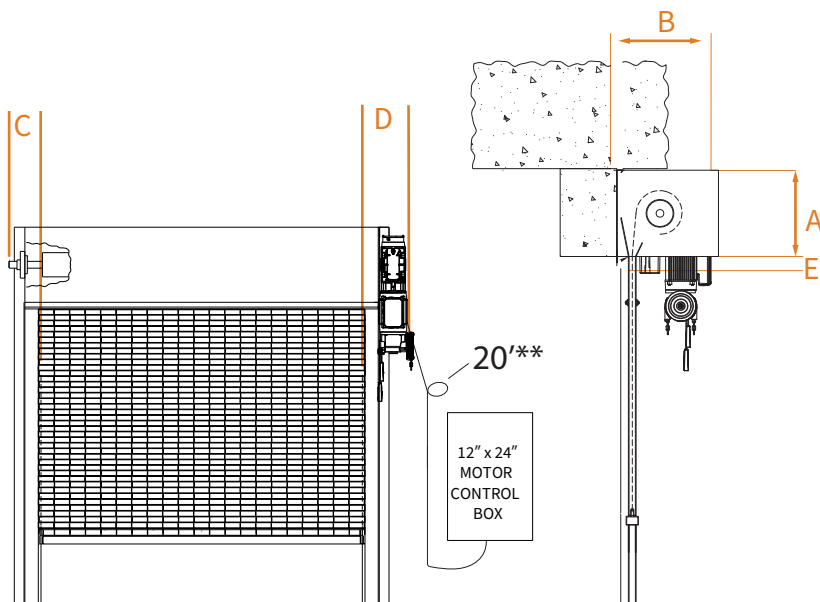
\*Dimension is 3" if a sensing edge is present

### ALUMINUM CURTAIN



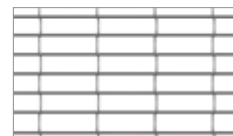
	A	B	C	D	E
14	10 1/2"	12 1/2"	FOW = 6" BJ = 6"	FOW = 13 1/4" BJ = 13 3/4"	2"*
13	10 3/4"	12 3/4"			
12	11"	13"			
11	11 1/2"	13 1/4"			
10	11 3/4"	13 3/4"			

\*Dimension is 3" if a sensing edge is present

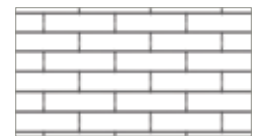


\*\*Additional lengths are available, please contact the factory.

### CURTAIN DESIGNS Straight and Brick



Straight



Brick

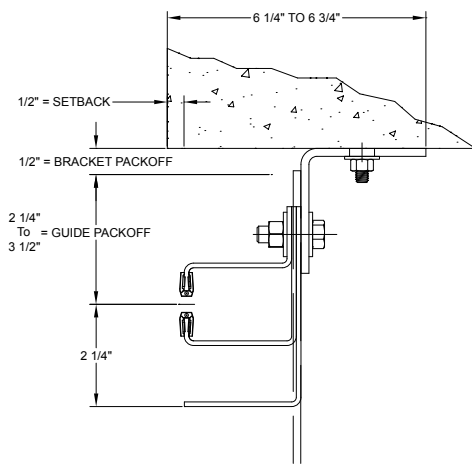
The dimensions featured on this sheet are provided as a rough guide for planning purposes. Exact dimensions cannot be provided until field conditions and all options are confirmed. Once field conditions are confirmed, please visit our website at [www.cooksondoor.com/drawings](http://www.cooksondoor.com/drawings) to generate custom drawings on demand for your specific opening.

**FACE OF WALL GUIDE CONSTRUCTION OPTIONS**

**STAINLESS STEEL**

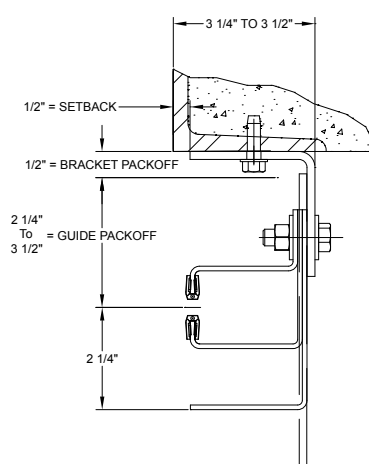
**Z GUIDE**

Typically used with masonry wall construction, guides are mounted to the interior or exterior side of the wall.

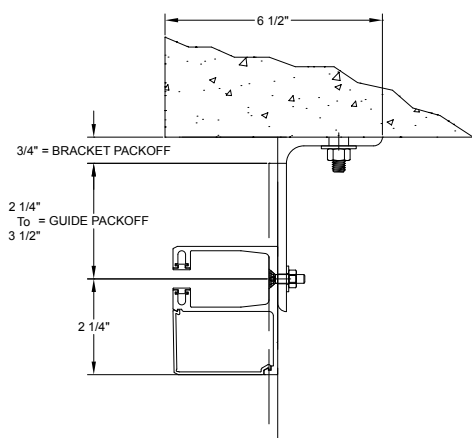


**E GUIDE**

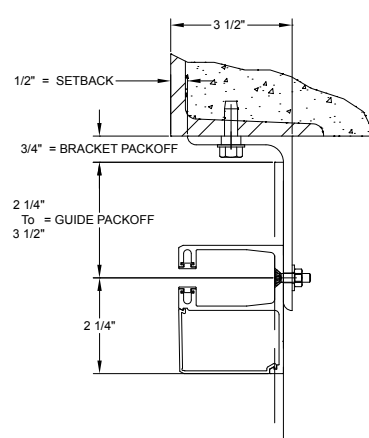
Typically used with steel jambs, guides are mounted to the interior or exterior side of the wall.



**Z GUIDE TO TUBE**

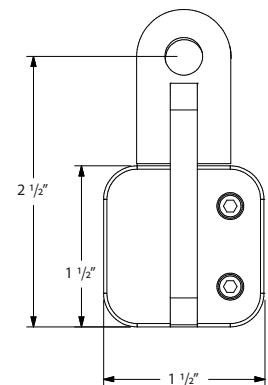


**E GUIDE TO TUBE**



**BOTTOM BAR**

Compact stainless steel 300 series in #4 finish.



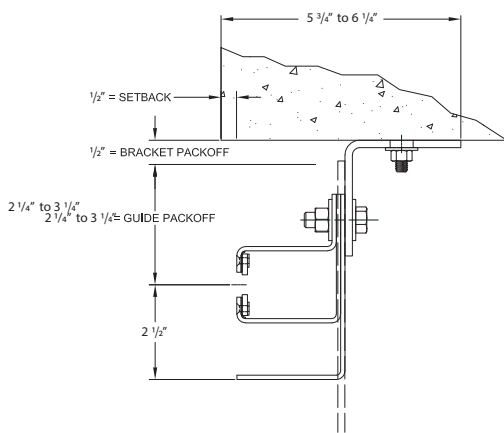
The dimensions featured on this sheet are provided as a rough guide for planning purposes. Exact dimensions cannot be provided until field conditions and all options are confirmed. Once field conditions are confirmed, please visit our website at [www.cooksondoor.com/drawings](http://www.cooksondoor.com/drawings) to generate custom drawings on demand for your specific opening.

**FACE OF WALL GUIDE CONSTRUCTION OPTIONS**

**ALUMINUM**

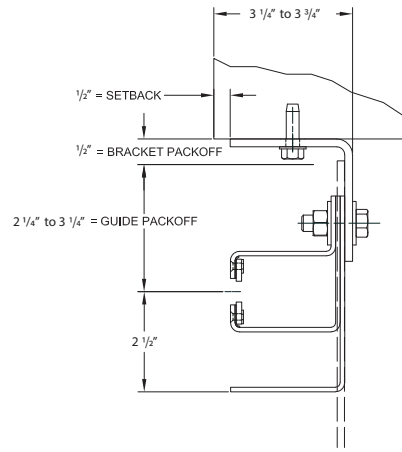
**Z GUIDE**

Typically used with masonry wall construction, guides are mounted to the interior or exterior side of the wall.

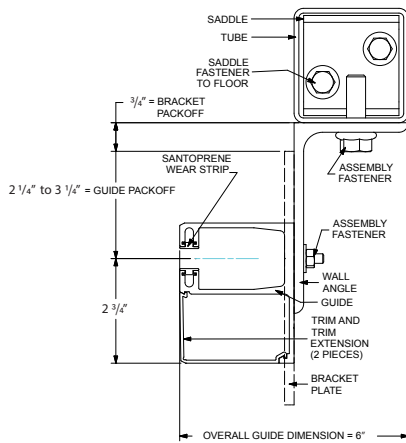


**E GUIDE**

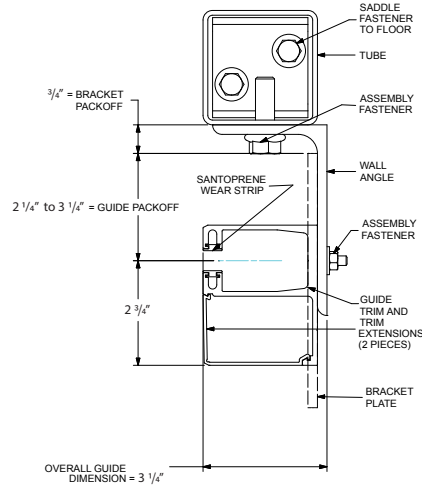
Typically used with steel jambs, guides are mounted to the interior or exterior side of the wall.



**Z GUIDE TO TUBE**

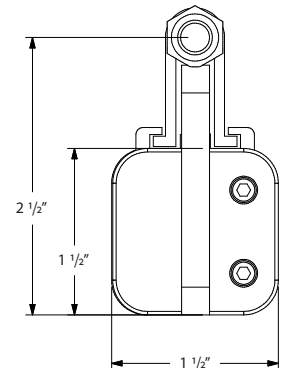


**E GUIDE TO TUBE**



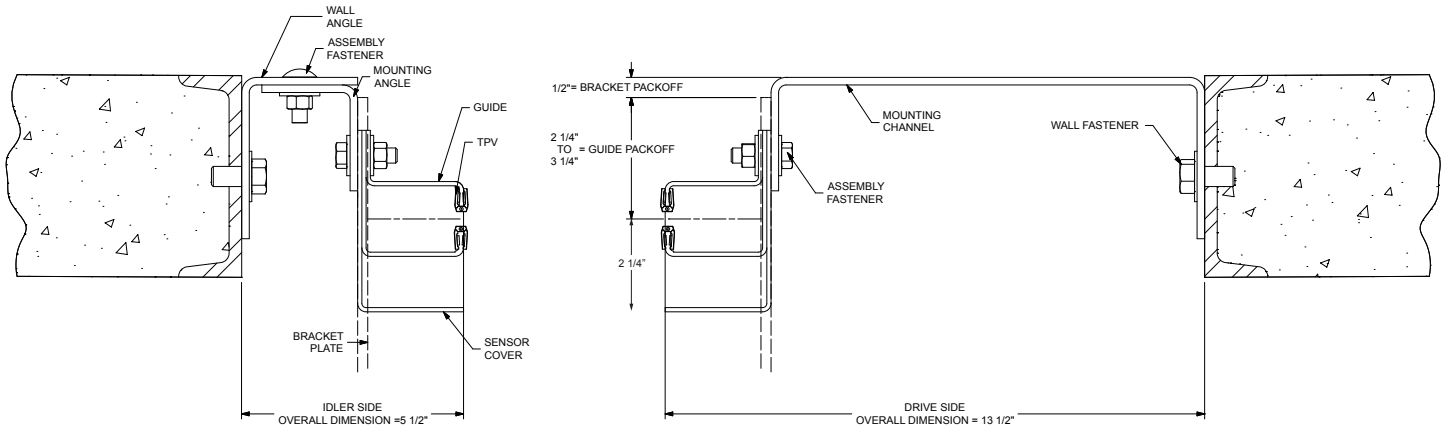
**BOTTOM BAR**

Compact extruded aluminum in mill finish.

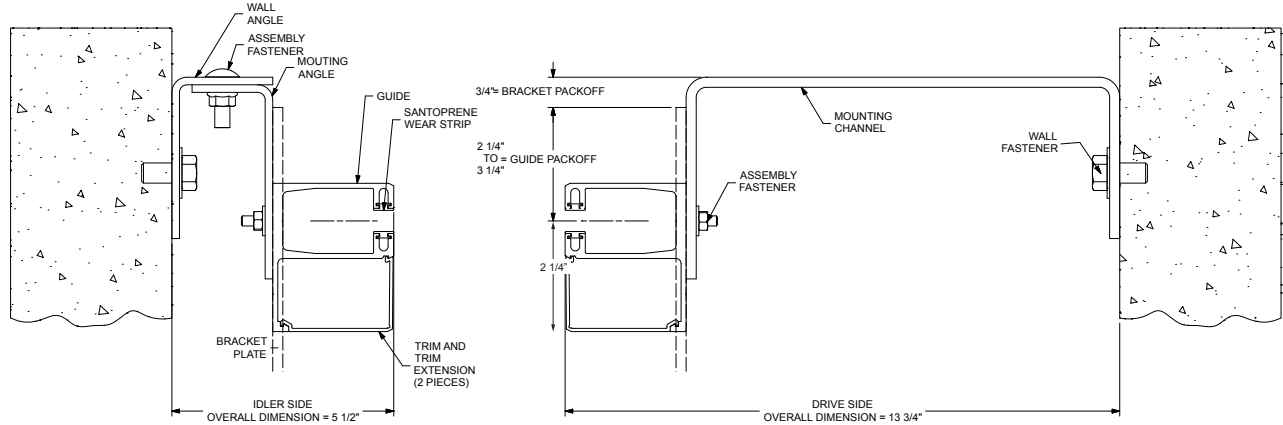


**BETWEEN JAMBS GUIDE CONSTRUCTION OPTIONS**

**STAINLESS STEEL**



**ALUMINUM**



**OPERATIONAL WIND LOAD LIMITS**

**Stainless Steel**

Max. DBG	Max. operational wind load (PSF)
12'	16
20'	12
26'	10

**Aluminum**

Max. DBG	Max. operational wind load (PSF)
12'	11
20'	10
26'	9

**CUSTOM-DESIGNED SOLUTIONS**

Our experienced Architectural Design Support Team can customize our products to fit your specific application. Call 800.233.8366 ext. 4551 • architecturaldesignsupport@cornellcookson.com