



***1024 DOOR
INSTALLATION
INSTRUCTIONS***

Section 1 – Table of Contents





Section 2 – Safety Check List	2
Section 3 – Freight Receiving	3
Section 4 – Pre-installation	4
Section 5 – Guides	5
Face Of Wall.....	5
Between Jambes	5
Section 6 – Coil Box Installation	9
Section 7 – Motor Operator Installation.....	11
Section 9 – Sensor Mounting.....	13
Section 10 – Lintel Seal	14
Z Shape	14
L Shape	15
Hood and Fascia Installation	16
Section 11 – Torque Specifications	17
Section 12 – Maintenance Schedule	18
Appendix A – Vinyl Guide Weather Seal.....	20

Section 2 – Safety Check List

Rolling doors are large, movable objects. They move with the help of electric motors or manual operators (chain, crank, push up, etc), and most have springs under high tension. These items and their components can cause injury. In order to avoid injury to yourself and others, please follow the instructions in this manual.

- **Review the potential hazards and preventative measures listed below:**

Table 2.1 - Potential Hazards and Preventative Measures

Potential Hazard	Preventative Measure	
	<p style="text-align: center;">⚠ DANGER</p> <p>Pinned or crushed by closing door.</p>	<ul style="list-style-type: none"> • Keep yourself and others clear of opening while door is in motion. • Do not allow children to play near or operate door. • Do not operate if door becomes jammed or broken.
	<p style="text-align: center;">⚠ WARNING</p> <p>Struck by adjusting wheel bar while applying spring turns.</p>	<ul style="list-style-type: none"> • Be sure bar is adequate in strength and long enough to allow installer to apply the necessary torque. • Make sure bar is fully seated into the adjusting wheel slot before applying pressure. • Use two bars while applying turns to the adjusting wheel.
	<p style="text-align: center;">⚠ WARNING</p> <p>Electrical shock.</p>	<ul style="list-style-type: none"> • Make sure electrical operator is properly grounded. • Turn off source power completely prior to servicing the motor. • Make sure wires are clear of any moving or potentially moving parts. • Avoid pinching wires when installing the motor cover.
	<p style="text-align: center;">⚠ WARNING</p> <p>Pinched by moving components.</p>	<ul style="list-style-type: none"> • Make sure the motor is turned off and unplugged before working with moving parts such as roller chain and sprockets, drop-out mechanisms, adjusting wheels, etc. • Locate the possible pinch-points of the unit (Drive chain, coil area, bottom bar, etc.) Do not operate the door while someone is near these areas.

- **Check the following during installation and before leaving the job site:**
 - a. If the unit has tension springs, be sure the proper amount of tension is applied to the torsion springs, in order to properly counterbalance the weight of the curtain.
 - b. Securely fasten the tension adjusting wheel in place with the appropriate hardware provided.
 - c. Check that the keys and/or cotter pins have been set in place and fit properly at all sprockets or gears.
 - d. Check that the setscrews in each sprocket or gear (one over the key and one offset from the key) have been tightened properly.
 - e. Check all fasteners holding the unit to the building structures.
 - f. Check all fasteners used to assemble the components of the unit together.
 - g. Instruct owner or representative in the proper method of operating the door.

Section 3 – Freight Receiving

- **Upon delivery, check condition of components for damage.**
- **If damage occurred in transit, the installation should not proceed without authorization.**

NOTICE

If the installation proceeds, neither the carrier nor the manufacturer will assume responsibility for replacing the damaged material.

- **If the installation is stopped due to damage, do the following:**
 1. Take pictures of the damage.
 2. Do not move material from point of delivery to other premises once the damaged components are discovered.
 3. Do not unpack, if the damage is visible prior to removing packaging, until an inspection is made.
 4. If the damage is found while removing contents from packaging, the packaging material must be saved until inspection is made.
 5. Container and packaging should be retained by consignee until inspection is made.
 6. Have components inspected by carrier's representative within 15 days from date of delivery.
 7. Consignee must obtain a copy of the Inspection Report.
- **Returning damaged components:**
 1. Obtain permission from carrier to return.
 2. Route the return shipment via the identical carrier(s) involved in the original shipment.
 3. Notify the manufacturer when shipment is returned to manufacture plant.
- **Verify that all components have arrived. Look for the following:**
 1. Job construction drawings featuring different views (elevation, section, plan, etc.)
 2. (2) Guide assemblies; check for guide weathering if included in order
 3. Coil Box assembly – this should include the coil box, inertia brake, shaft, and curtain assembly (wrapped on shaft).
 4. Operator
 5. Operator cover; may not be included in order
 6. Hood; may not be included in order
 7. Hardware
 8. Misc. items (Reelite, lintel seal, etc.)
 9. Verify material/finish/color of components matches what is listed on the job construction drawings and/or what was ordered.
- **If the delivery is incomplete:**
 1. Make note on delivery receipt.
 2. Note should be verified by driver's signature.
 3. Notify carrier and manufacturer.

Section 4 - Pre-installation

- **Read entire instruction manual thoroughly. The manufacturer will not be held responsible for any charges incurred due to improperly installed components.**
 - a. Only trained door systems technicians should perform installation, maintenance, etc.
 - b. Each unit comes with an individual item number. If the job contains multiple units, be sure to locate all the components for each item and separate each.

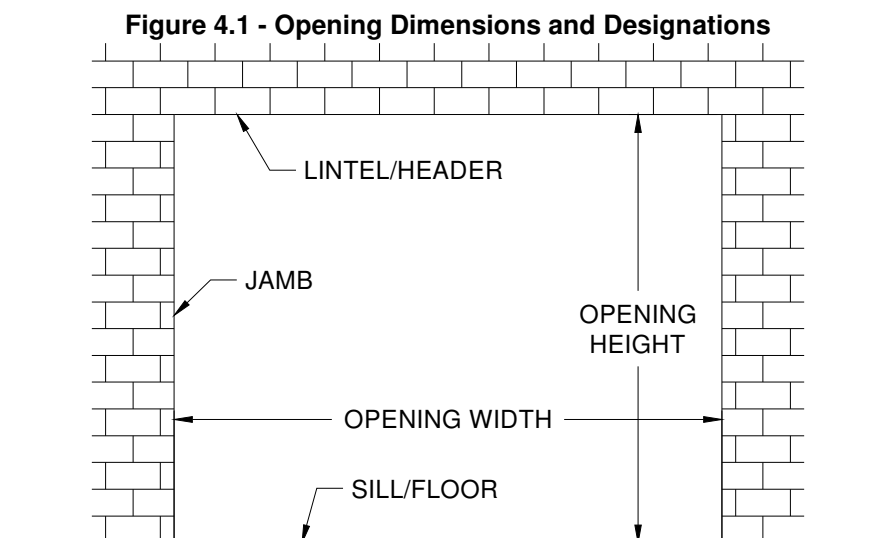
⚠WARNING

Do not interchange parts from one door to another.

- c. Find the job construction drawings for the unit being installed and check the dimensions of the opening against those on the drawings. See **Figure 4.1** below.
- d. If the opening dimensions differ from those on the drawings, **do not proceed**, check with distributor/manufacturer to be sure the correct door is being installed.
- e. Check the jambs of the opening for plumb. Check the head/lintel and floor for level. If the unit is to be free standing, for example mounted to tubes, check the floor and ceiling for level and for adequate mounting areas at the top and bottom.

Note: *The floor may not be level if a pitched bottom bar is specified.*

- **Work Area:**
 - a. The key to a smooth installation is a clean and well-prepared work environment. Once the components have been inspected and the job construction drawings have been reviewed; lay out the components in the order of installation.
 - b. The opening for the door should be cleaned and inspected for rough surfaces and construction debris.
 - c. Lastly the mounting hardware supplied with the door should correspond with the surface and construction features of the opening.
 - d. The basic assembly sequence is as follows: guides, barrel w/ rings or tapped holes, brackets, motor operator (if applicable), curtain, bellmouth, weather stripping, hood, and operator/adjustor/idler covers.



Section 5 - Guides

- **Face of Wall Units (Figures 5.1 - 5.5):**

Note: Determine which guide assemblies are utilized on the unit from the job construction drawings and compare to the diagrams below.¹

Figure 5.1 – Face of Wall “Z” Guide

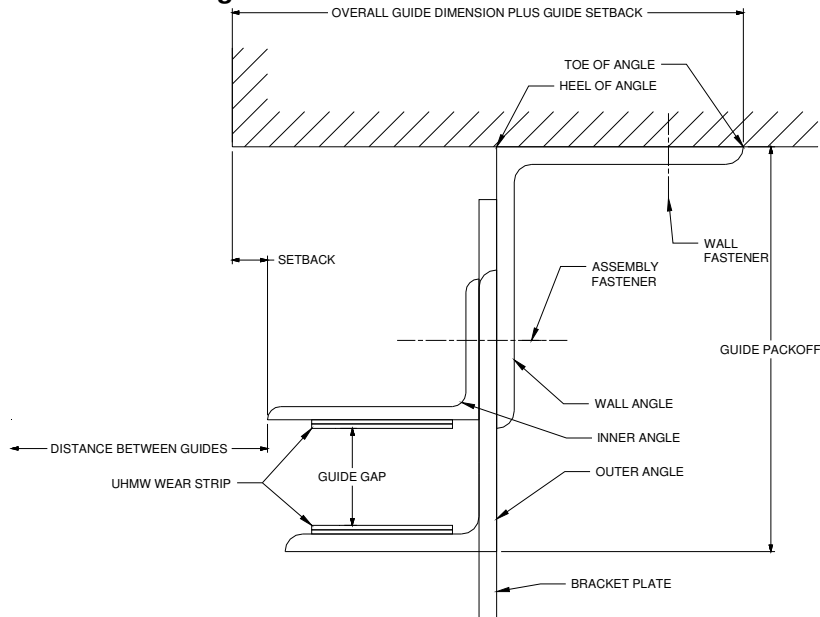
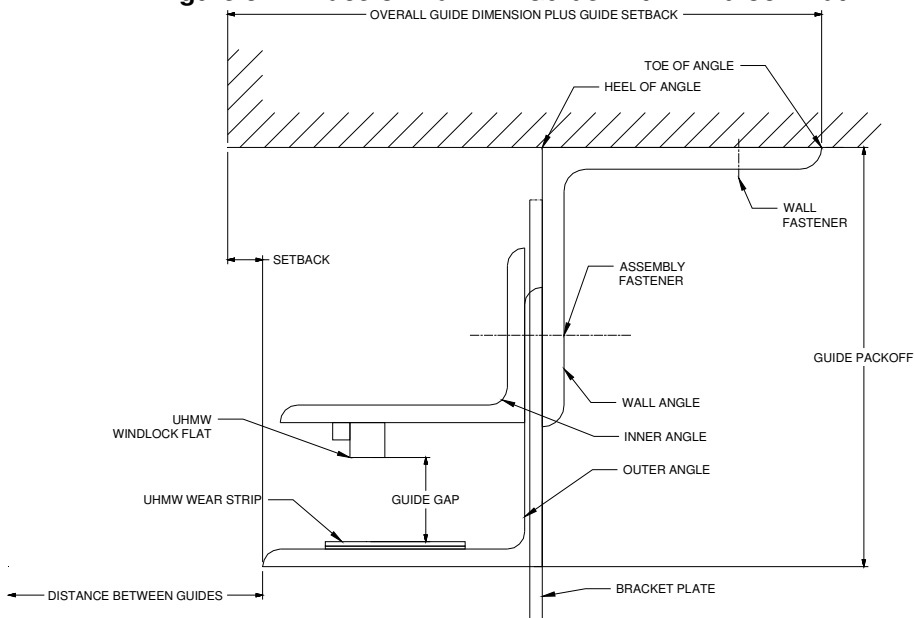


Figure 5.2 – Face of Wall “Z” Guide With Windlock Flat



¹ The guide assembly may differ from the right to left hand side of the unit. In these cases, follow the directions for each particular guide assembly, as well as the job construction drawings provided with the unit.

Section 5 - Guides

Figure 5.3 – Face of Wall “E” Guide

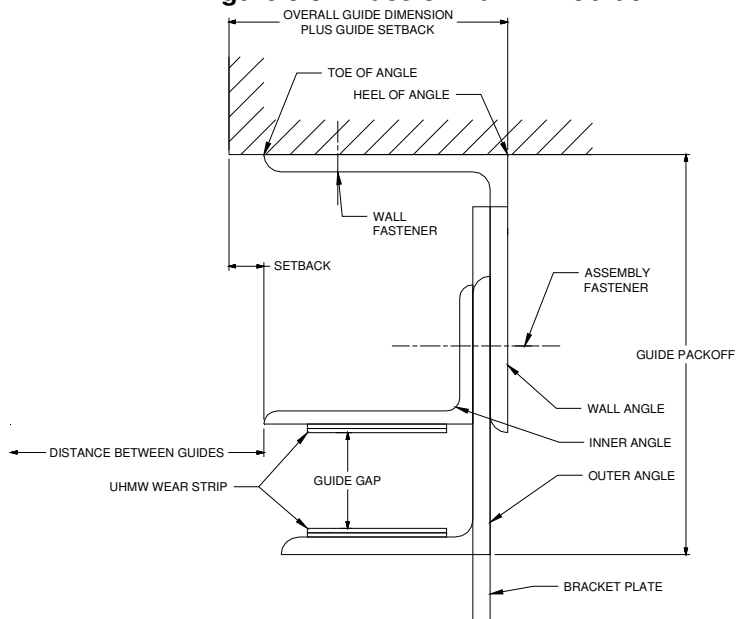
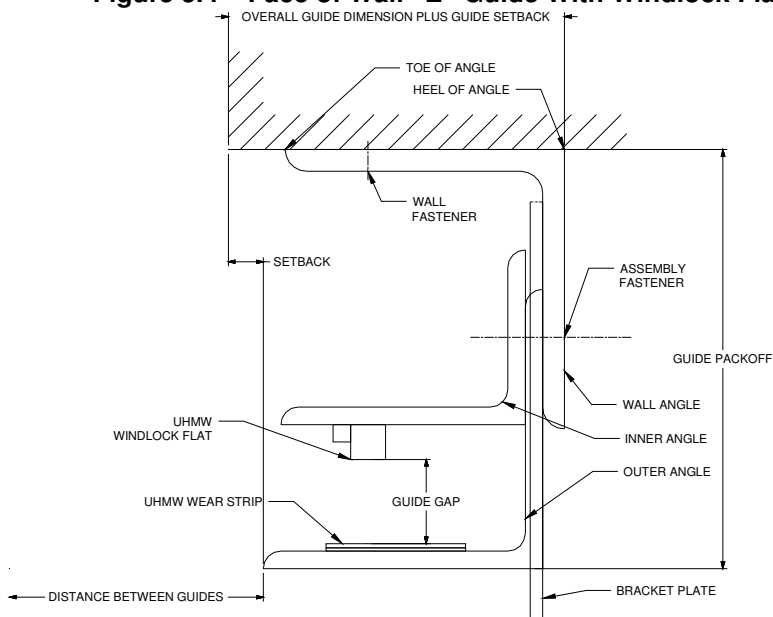
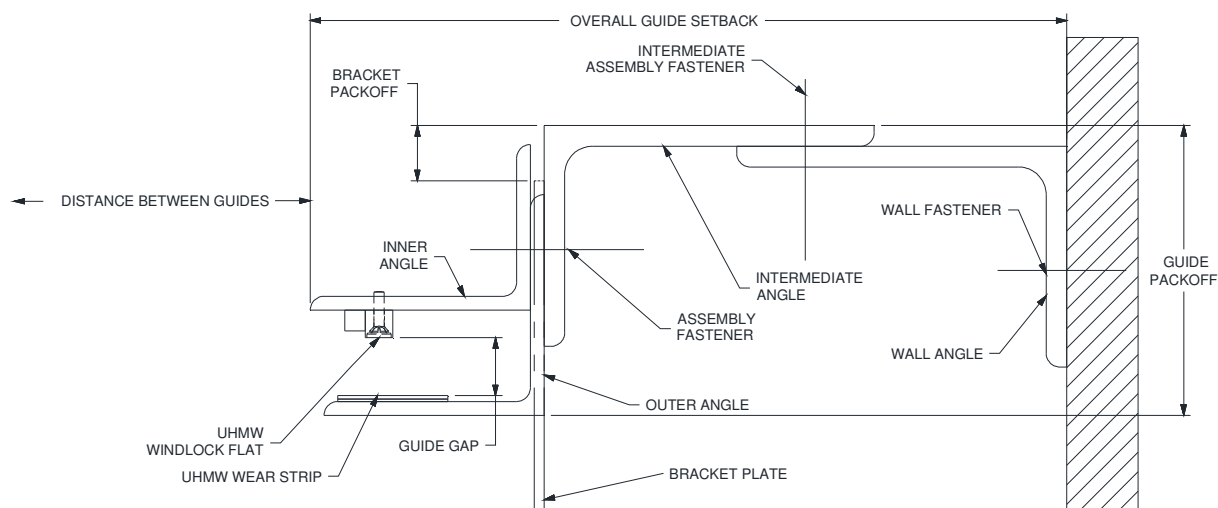


Figure 5.4 – Face of Wall “E” Guide With Windlock Flat



Section 5 - Guides

Figure 5.5 – Between Jambs Guide



1. Remove the bellmouth from the guide by removing the bolts that anchor the bellmouth to the wall angle. Loosen the first bolt closest to the bellmouth on the guide.
2. Certain guide assemblies may have to be disassembled in order to mark the location of the wall fastener mounting holes, and in order to fasten to wall.²
 - “Z” guides, with or without windlock flat, may **not** have to be disassembled to install.
 - “E” guides, with or without windlock flat, must be disassembled in order to install the wall angle.
3. Measure the distance from the opening/jamb to the heel of the wall angle (on “E” guides) or the toe of the wall angle (on “Z” guides). This distance is referred to as the “*Overall Guide Dimension plus Guide Setback*”; see **Figures 5.1 - 5.4**. See the job construction drawings for the dimensions.
4. Place mark on the floor at measured location. Check the distance between these marks and compare with the job construction drawing. It will be the “*Distance Between Guides*” plus the “*Overall Guide Dimension plus Guide Setback*” at both jambs.

NOTICE

If the measurement does not equal the dimensions on the job construction drawings, **STOP**. Check the guide dimensions against those on the job construction drawings to be sure the correct guides are being installed. If so, repeat previous step and re-check.

5. Scribe a plumb line on the wall from the marks on the floor.
6. Place the guide or wall angle against the scribed line, check the top of the guide for level, and mark the location of the wall fastener mounting holes.
7. If the guide is attached to the wall with fasteners, drill mounting holes for the wall fasteners and fasten the guides / wall angle with the hardware provided. Check the job construction drawings

² In some cases where there is a mounting member, such as a structural tube (not provided by door manufacturer), the guide may be fastened to the mounting member and then the entire assembly is stood up and installed together. If the guides are too heavy to stand up assembled, they will have to be installed in pieces.

Section 5 - Guides

for the wall fastener required. Tighten the wall fasteners to the recommended installation torque in the *Torque Specifications Tables* in **Section 11**.

8. If the guide is attached to the wall by welding to structural steel, see the job construction drawings for details on weld location, type, pitch, size, etc.³
9. Reassemble inner and outer angles if necessary.
10. Adjust the guide gap if necessary. Guide gap is **critical** and must be verified. Check the job construction drawing to determine what guide gap is required for the unit.
11. Preload the assembly fasteners per the torque recommendations in the *Torque Specifications Tables* in **Section 11**.
12. If guide seal is provided, fasten it to the guide at this time per the guide detail on the job construction drawings.

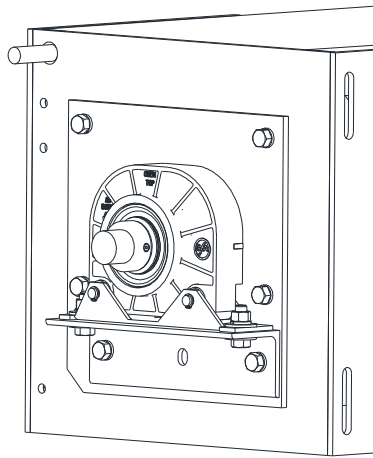
³ Minimum recommended weld rod: AWS A5.1, Grade E-70.

Section 6 – Coil Box

Installation of Coil Box (brackets, shaft, and curtain)

1. Refer to the job construction drawings to determine the “coil side” of the opening, or the side of the opening on which the coil is to be installed. Then determine which jamb wall is your “operator side”, or side on which the operator is to be installed. The following instructions refer to these directional cues.
2. Unpack the coil box assembly. This should be done by uninstalling the sides of the crate from around the coil box. Once this is complete lift the coilbox from underneath at the specified location.
3. Note the location of the pre-installed inertia brake. This indicates the side opposite of the operator side of the coil box assembly.

Figure 6.1 – Pre-Installed Inertia Brake



4. Position the coil box assembly on the coil side of the opening with the end opposite the inertia brake towards the “operator side” of the opening

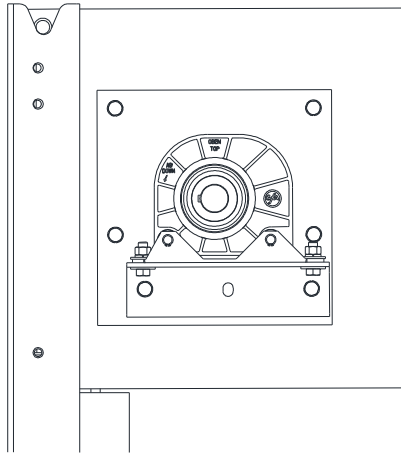
Note: It is recommended that the motor operator be installed prior to installing coil box in place. If job site conditions are such that this is possible refer to Section 7 of this manual prior to completing the next step.

5. If installing the operator prior to lifting the coil box into place, ensure that the “lift point” is adjusted to account for the additional weight of the operator at one end of the coilbox.
6. Lifting the coilbox into place may be done using the following methods:
 - **Crane Hoisting:** Place a sling or lifting agent under the coilbox assembly at the “lift point” provided on the coilbox
 - **Forklift Hoisting:** Space the forks evenly under the “lift point” provided on the coil box. Ensure that the coil box assembly is positioned close enough to the tips of the forks that the fastening holes in the bracket can be aligned with those of the guides without the forks contacting the wall. Secure the barrel assembly to avoid the slipping off the tip of the forks.
7. Before hoisting, refer to the hardware sheet and ensure that the proper type and quantity of fasteners were provided for the coil box. Measure the coil box width and compare that to your wall angles. Readjust the wall angles as needed before hoisting.
8. *Raise the coil box up to approximate coil box mounting level. The coil box should be clear of the outer and inner guide angles. Be sure to have coil box mounting stud clear above wall angle before attempting next step.*

Section 6 – Coil Box

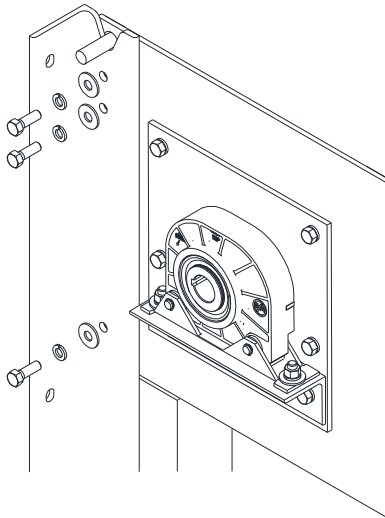
9. Slowly maneuver the coil box assembly towards the guide. Once mounting stud is position over guide angle saddle (see **Figure 6.2**) lower assembly until stud is seated in saddle and mounting holes align.

Figure 6.2 – Guide Angle Saddle



10. Fasten guide to coilbox using specified bolts and tighten (see **Figure 6.3**)

Figure 6.3 – Mounting Hardware



11. Place a level in the center of the coil box. If the coil box is **not** level:
 - Check the dimensions of the brackets from the top of the bracket to the center of the barrel.
 - Verify that the bracket mounting fasteners are the same distance from the top of the bracket.
 - a. If the dimensions **are not** correct, contact the Service Department.If the dimensions **are** correct, the floor may be out of level, causing the bracket mounting holes in the guides to be out of alignment.
12. Fully tighten mounting bolts to the torque specifications in this manual. See torque specification tables in **Section 11**.

NOTICE

Proper pretension of the coil box mounting bolts will benefit the life of the bolts and coil box.

Section 7 – Motor Operator Installation

1. Unpack the motor operator from the shipping box and retrieve hardware provided.
2. Refer to the shop drawings in order to understand the operator mounting configuration. See **Figure 7.1** for a front of coil mount configuration or **Figure 7.2** for a top of coil mount configuration.
3. Position the motor in such a way that you can place the operator mounting hardware through the mounting plate on the coilbox to allow for attachment of the motor to the coilbox.
4. Attach the operator to the coilbox.
5. Install the provided drive sprocket onto the portion of the inner shaft that is exposed outside the coilbox making sure to properly align this with the drive sprocket on the operator.
6. Insert the provided keystone into the keyway on the inner shaft. Once inserted and proper alignment between the door sprocket and motor drive sprocket tighten the hardware on the door sprocket.
7. This unit is provided with a self-adjusting chain tensioner (**Figure 7.3**) Install the drive chain per normal installation techniques, tensioning the chain as would normally be done. Be sure to pull the chain tensioner down below the lower section of drive chain before completing installation of chain.
8. Once chain is finished being installed release chain tensioner and allow to put upward pressure on lower section of chain. As chain wear occurs this will help to keep proper chain tension without manual adjustment.
9. Verify all mounting bolts are secure.
10. Spray drive chain with a moly based lubricant.

NOTE: It is recommended to complete this step while coilbox is on the ground prior to lifting unit into the air however motor may be installed after the coilbox assembly is attached to the top of the guide angles.

Figure 7.1 – Front of Coil Mount

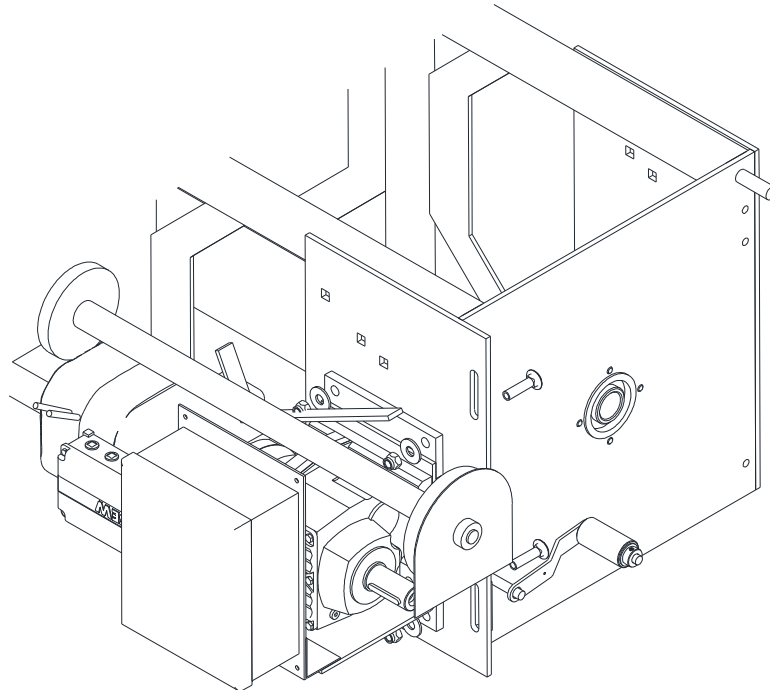


Figure 7.2 – Top of Coil Mount

Section 7 – Motor Operator Installation

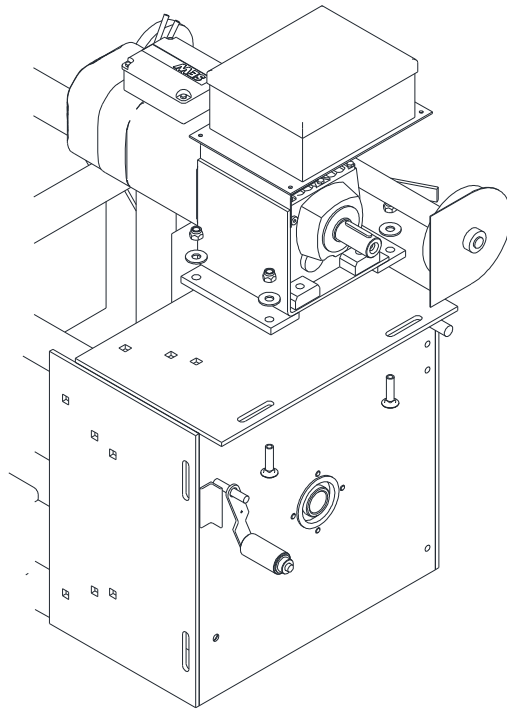
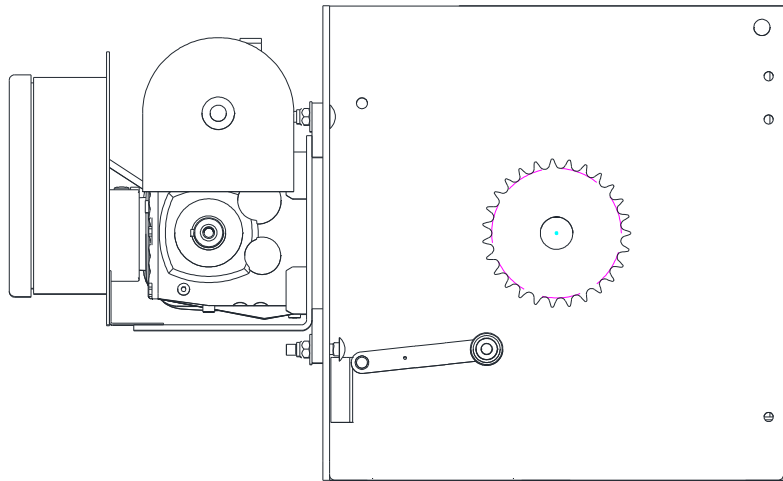


Figure 7.3 - Self Adjusting Chain Tensioner



Section 8 – Sensor Mounting

▪ Sensor Mounting

1. Locate all of the sensor mounts (pre-installed with light curtain and photoeye), bottom bar flag, hardware and wiring (pre-wired to the control panel).
2. Ensure that the proper photoeye and light curtain are placed on the proper side of the door. The photoeye transmitter (identified by “SMT” in the part number or the red housing) and the light curtain receiver (identified by “SGR” in the part number) will be placed on the “operator” side of the door. The photoeye receiver (identified by “SMR” in the part number of the yellow housing) and the light curtain transmitter (identified by the “SGT” in the part number) will be placed on the “adjustor” side of the door.
3. Take the plug and play connectors from the control panel and run to each side of the door, with the shorter cable running to the operator side of the door, securing the wire to the sensor mounting angle using the provided wire clips.
4. Attached the plug and play connector to the sensor mounting angle using the provided #12 hardware. The light curtains and photoeyes should also be plugged in at this time.
5. Loosen every other assembly fastener on the guides, started at the fastener closest to the bottom. The fasteners should not be fully removed.
6. Line up the sensor mounting angle with the assembly fasteners and at the same time lift and push back. The sensor mounting angle should drop slightly and rest on the assembly fasteners.
7. Re-tighten the assembly fasteners at this time being sure to maintain proper guide gap.
8. Loosen the bottom bar assembly fasteners closest to the guide and insert the provided bottom bar flag as shown in **Figure 8.2**. Re-tighten the fastener at this time

⚠ WARNING

The bottom bar flag must be installed prior to commissioning the door.

Figure 8.1 – Sensor Mounting

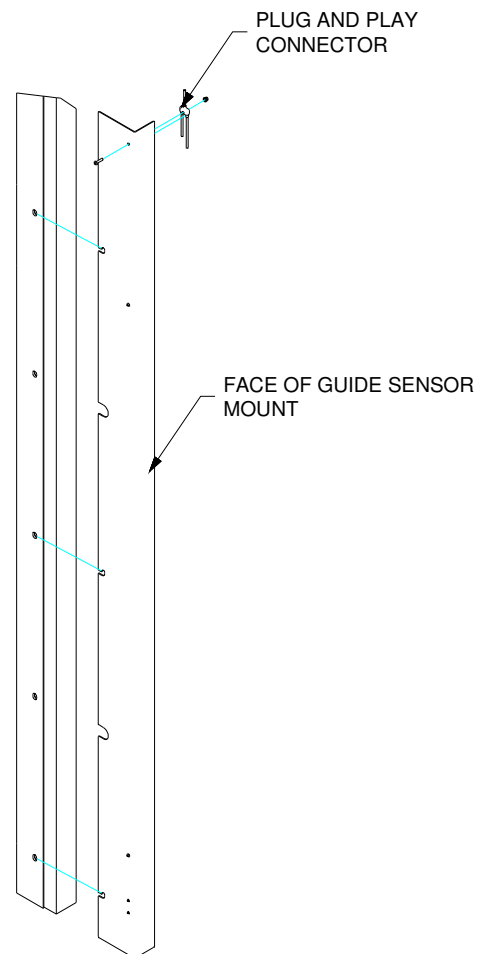
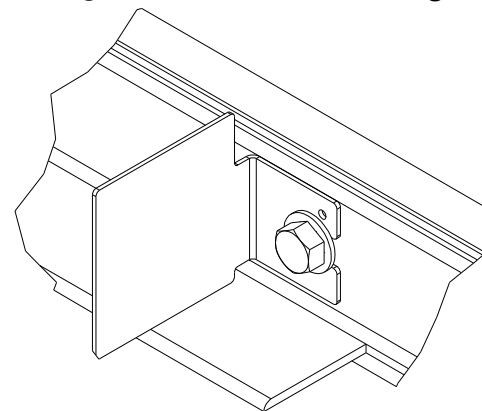


Figure 8.2 – Bottom Bar Flag



Section 9 – Lintel Seal

▪ "Z" Shaped Seal

Figure 9.1 - "Z" Shaped Lintel Seal Cutout

Note: The Lintel Seal should be installed before the hood and fascia, and after all other door components are installed and operational.

1. Clean and inspect the top of the opening where the Lintel Seal will be installed. See shop drawings for details.
2. Make the "A" & "B" cutouts to the ends of the extrusion(s) according to the dimensions on the shop sheet to allow for the guide setbacks and pack-off. (See **Figure 9.1**)
3. Mark and drill the mounting holes in the extrusion. Ensure the mounting holes allow sufficient clearance for the fasteners being used to attach the lintel seal. The mounting holes should be spaced at a maximum of 24 inches apart. Position the holes equally between the front edge of the lintel and the back edge of the extrusion.
4. Place the lintel seal at the bottom of the lintel with the brush contacting the curtain (in the closed position) with the bristles pushed to about a 45-degree angle. (See **Figure 9.2**)

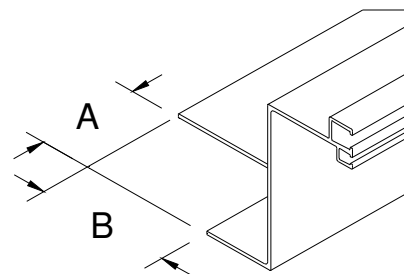
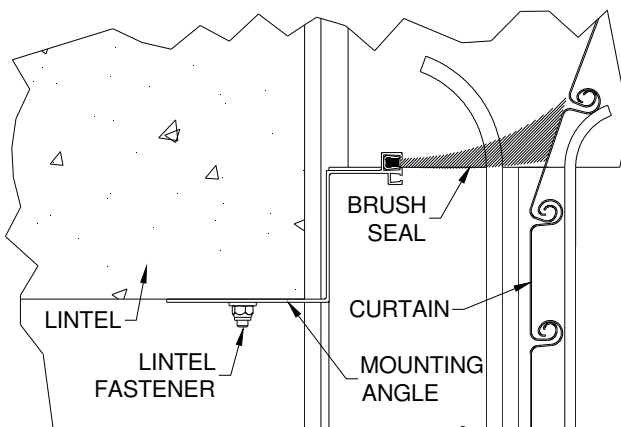


Figure 9.2 - "Z" Shaped Lintel Seal



Note: Check the lintel brush for proper contact on the door curtain at the edges and in the middle when the door is both open and closed (mounting extrusion will not sit flush with the corner of the lintel in most cases). On large doors, toward the center, the multi-piece Lintel Seals may have to be angled inward and trimmed on the edges to follow the bow of the door curtain when closed. (Make sure that the brush stays in contact with the door and that the door does not hit the extrusion when it is fully opened.)

5. Once you determine the correct mounting position of the lintel seal, mark the mounting hole locations on the header using the previously drilled holes in the mounting extrusion as a template.
6. Remove the lintel seal and prepare the mounting hole locations for the proper fasteners supplied with the unit.
7. Replace the lintel seal in the opening and insert the fasteners. Make any adjustments the Lintel Seal and properly orient the multi-piece lintel seal (if present) and tighten the fasteners.
8. Operate the door and ensure that the lintel seal sustains sufficient contact with the curtain (The curtain should always touch the Lintel Seal and not hit the extrusion).

Section 9 – Lintel Seal

▪ "L" Shaped Seal

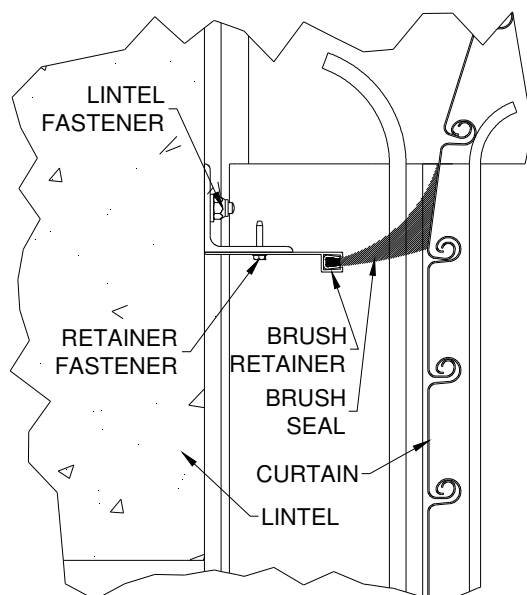
Note: The Lintel Seal should be installed before the hood and fascia, and after all other door components are installed and operational.

1. Clean and inspect the top of the opening where the *Lintel Seal* will be installed. See shop drawings for details.
2. Mount the angle to the lintel with the correct fasteners according to the wall construction. (Refer to the job information for the correct location of the angle from the lintel.)

Note: Check the lintel brush for proper contact on the door curtain at the edges and in the middle when the door is both open and closed. On large doors, toward the center, the multi-piece Lintel Seals may have to be angled inward and trimmed on the edges to follow the bow of the door curtain when closed. (Make sure that the brush stays in contact with the door and that the door does not hit the extrusion when it is fully opened)

3. Place the brush extrusion in place on the mounting angle so the brush makes contact with the door in the closed position. (Brush should be at about a 45-degree angle) Mark the mounting holes locations. Before removing the lintel seal, scribe a line on the back edge of the extrusion and mounting angle. This will help ensure the lintel seal is replaced in the correct location.
4. Remove the lintel seal. Drill the required pilot/clearance holes in the mounting extrusion. The mounting holes should be spaced at a maximum of 24 inches apart. Position the holes equally between the front and the back edges of the extrusion, or as needed to line up with the mounting angle.
5. Replace the lintel seal on the angle using the scribed line as a guide. Mark the mounting holes on the angle using the previously drilled holes in the mounting extrusion as a template. Remove lintel seal and drill the required pilot/clearance holes.
6. Attach the extrusion to the mounting angle with the proper fasteners.
7. Operate the door and ensure that the lintel seal sustains sufficient contact with the curtain (The curtain should always touch the Lintel Seal and not hit the extrusion).

Figure 9.3 - "L" Shaped Lintel Seal



Section 10 – Hood, Fascia, and Covers

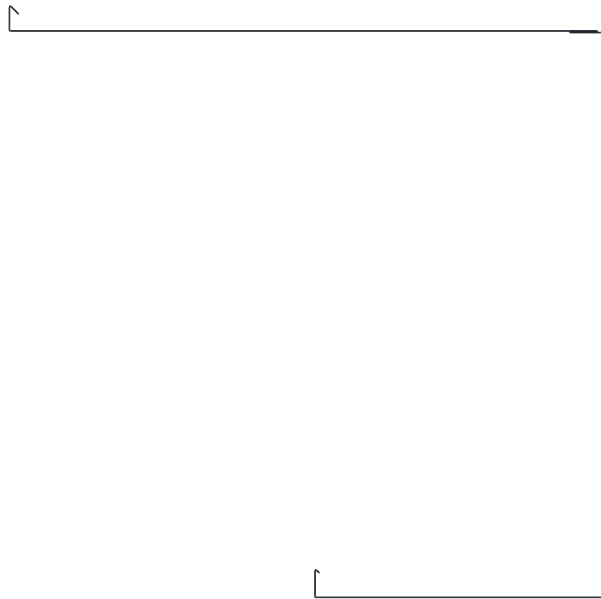
- **Hood and Fascia installation:**

All 1024 units are provided with a two piece hood consisting of a two sided front and soffit piece and a separate top piece. See **Figure 10.1**

1. Check the job construction drawings to see if a single section hood or a multiple section hood were provided. If a multiple section hood was provided be sure to start installation from operator side of unit as this will ensure proper overlapping of sections.
2. Fasten the hood and fascia accordingly using the fasteners provided. Ensure hoods with multiple sections overlap correctly.

Note: Pre-drill holes in the coilbox to ease hood attachment. A #21 drill size is recommended.

Figure 10.1 - Hood Configuration



- **Cover installation:**

1. Once the unit is installed and operating correctly, the covers can be installed.
2. Hood screws may have to be removed and reinstalled to install covers properly.
3. If the cover mounts to the side of the door bracket, pre-drill holes in the bracket to ease installation. A #21 drill size is recommended.
4. If an operator or adjustor cover is provided, individual installation instructions are provided with each cover along with the necessary hardware to attach the cover.
5. Once the cover is installed, operate the door a few more times to be sure there is no interference between the moving components inside the cover and the cover itself.
6. If the door is mounted on the exterior of the building, a bead of silicone sealant should be applied around the entire perimeter of the cover, as it will provide additional protection to the door components.

Section 11 – Torque Specification

Table 11.1 – Torque Recommendations for Guide Assembly and Wall Fasteners

Bolt size/type	Torque (ft lbs) ^a
1/4-20 Grade 2 steel bolt	6
5/16-18 Black Oxide Socket Cap	25
3/8-16 18-8 stainless steel bolt	20
3/8-16 Grade 2 steel bolt	20
3/8-16 Grade 5 steel bolt	31
1/2-13 Grade 5 steel bolt	75
1/2-13 Grade 8 steel bolt	107
5/8-11 Grade 8 steel bolt	212
3/4-10 Grade 8 steel bolt	376
^a The recommended torque for steel bolts is based on a plated bolt that has not been lubricated.	

Table 11.2 - Torque Recommendations for Solid Masonry Wall Anchors

Anchor Size (nominal)	Manufacturer/Torque (ft lbs) ^a	
	Simpson Wedge-All	Hilti Kwik-Bolt 3
3/8	30	20
1/2	60	40
5/8	90	85
3/4	150	150
^a Torque values for grout filled block are different, reference bolt manufacturer for these values.		

Section 12 – Maintenance Schedule

▪ **Maintenance Schedule:**

Note: If any of the following problems exist, **do not** operate the door until repaired.

Component	What to look for and how often the components must be inspected:	Weekly	Monthly	Quarterly	What to do if problem exists:
Curtain & Bottom Bar	Are any curtain components damaged (slats, endlocks, etc.)?	X			Contact Service about replacing damaged parts.
	Is bottom bar damaged?	X			Contact Service about replacing damaged parts.
	Are bottom bar fasteners in place and properly tightened?		X		Fasteners must be inspected/replaced and properly tightened.
	Are fasteners attaching curtain to the barrel in place and properly tightened?		X		Fasteners must be inspected/replaced and properly tightened.
	Do you notice any hang-ups, jamming or other problems preventing the door from moving smoothly throughout the opening?	X			Check for external issues, if none exist, contact Service.
	Do you notice any odd or excessive noise when the door is operated?	X			Check for external issues, if none exist, contact Service.
	If there is a bottom seal, is it damaged?		X		Contact Service about replacing damaged parts.
	If there is locking, does it function properly?	X			Check for external issues, if none exist, contact Service.
Coil Box	Is Coilbox hanging level and appears structurally sound (no loose components)?			X	Contact Service.
	Are Coil Box fasteners in place and properly tightened?			X	Fasteners must be inspected/replaced and properly tightened.
	Are all keys in place and properly seated?			X	Key must be inspected/replaced and properly seated.
	Do you notice signs of excessive wear on the bearings (i.e. binding, excessive noise, etc.)?		X		If there is a grease fitting, apply grease, if not, contact Service.
Guides	Are wall fasteners in place and properly tightened?		X		Fasteners must be inspected/replaced and properly tightened.
	Are guide assembly fasteners in place and properly tightened?		X		Fasteners must be inspected/replaced and properly tightened.
	Is guide gap dimension correct?		X		Check job construction drawings and adjust gap as required. If job construction drawings are not available, contact Service.
	Are any of the guide parts bent or damaged?		X		Contact Service.
Hood and Fascia	Is hood/fascia dented or damaged?			X	Remove hood/fascia. Repair if possible. If not leave hood/fascia off and contact Service.
	Is curtain rubbing against the hood/fascia?	X			Hood/fascia may have been damaged. Contact Service.
	Is hood/fascia level?			X	Check fasteners, they may be loose or missing. Replace as soon as possible.
	Are guide assembly fasteners in place and properly tightened?		X		Fasteners must be inspected/replaced and properly tightened.
	Is hood support level?			X	Check fasteners, they may be loose or missing. Replace as soon as possible.
Door operation	Does the door require excessive force to open?		X		Check for hang-ups or obstructions. Contact Service.

Section 12 – Maintenance Schedule

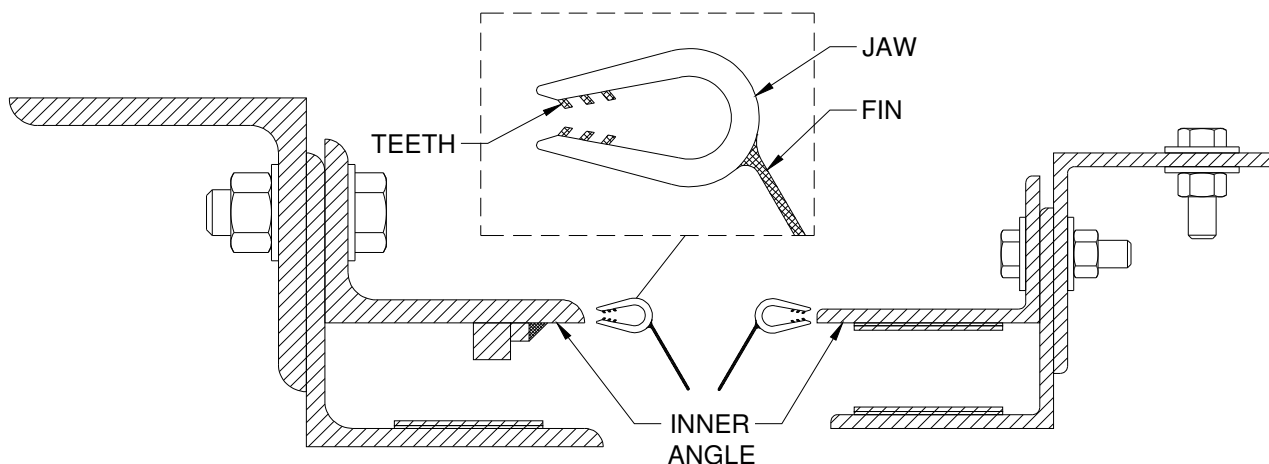
	If the door contains locking, does the locking mechanism function properly and securely hold the door in the closed position?		X		Check for damage and other external issues. Contact Service.
	Does the photoeye function properly?	X			Cut power and check for loose wires. Contact Service for further instruction.
	Does the light curtain function properly?	X			Cut power and check for loose wires. Contact Service for further instruction.
	If there is a sensing edge, does it function properly?	X			Cut power and check for loose wires. Contact Service for further instruction.
Motor Operator	Are the fasteners attaching the motor-to-the mounting bracket secure?			X	Fasteners must be inspected/replaced and properly tightened. Contact Service for replacement hardware.
	Is the door stopping correctly at the open and closed (as soon as the bottom bar contacts the floor) positions?		X		Limits may have to be adjusted in the motor operator. Refer to the operator owner's manual or contact Service.
	Is the operator functioning normally?		X		Refer to the <i>Operator Manual</i> to diagnose the problem.

Appendix A – Vinyl Guide Weather Seal

▪ Guide Weather Seal Installation Instructions

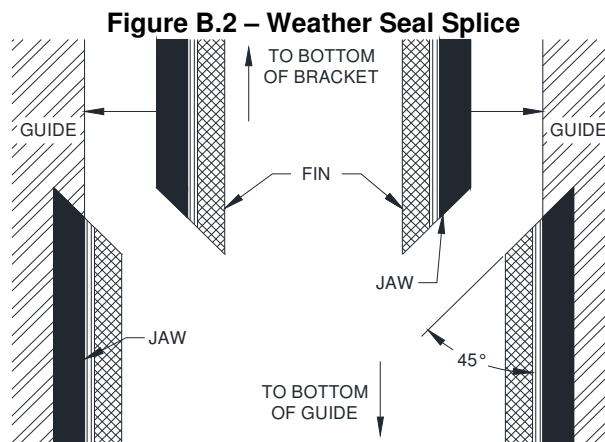
NOTICE – A rubber mallet should be used to properly install the seal. **DO NOT** install the seal using a steel hammer. Use caution when installing the seal below freezing temperatures, as it may crack if handled or installed improperly. If possible store the seal above freezing temperatures until it is installed.

Figure A.1 – Guide Weather Seal



1. The seal should cover from the bottom of the bracket to the bottom of the guide. Check this by either measuring it or holding it up to the guide. If the seal does not cover from the ground to the bottom of the bracket, a spliced section is needed, proceed to step 2. If no splice is required proceed to step 3.

2. If a splice is required, a Craftsman Handi-Cut utility cutter is recommended or a pair of tin snips or other cutting device can be used to cut the seal. Trim the bottom of the upper piece at a 45 degree angle from the jaw through to the fin. Trim the top of the lower piece at a 45 degree angle from the fin and jaw. See adjacent figure for how to trim the seal. Tape or other adhesive can be used to join the spliced weather seal, if desired.



3. Start at the top of the guide and work downward. Be sure that the seal is fully seated on the angle.

****NOTE** - Starting at the bottom may be difficult, as the flexibility of the material will cause it to pull away from the guide as it is being installed.

4. Run the door up and down a few times to ensure that the seal is installed properly.